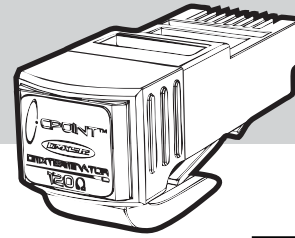




# CPOINT<sup>®</sup> RJ45 DMX512 TERMINATOR ONE UNIVERSE

## FACT SHEET



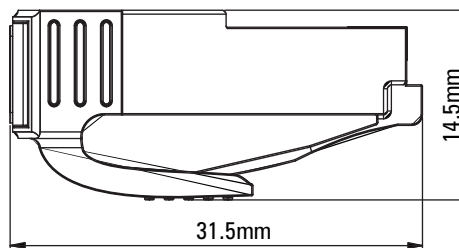
### RJ45 ONE UNIVERSE 120 OHM DMX512 TERMINATOR



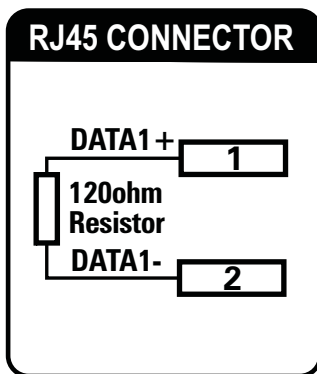
**FEATURES** With a terminator at the end of a DMX512 cable, at the last DMX512 unit, the source perceives the cable as endless, hence no reflections.

- A One Universe 120 Ohm DMX512 Terminator in a RJ45 connector.
- Use to avoid data-signals being reflected from the end of the data cable.
- Professional look.
- Weight including packaging, 4.4 g/0.15oz.
- Low weight, and small size plastic bag packaging.
- Molded housing.
- Protected “click-lock-tab”.
- Gold plated pins on connector.
- EAN13 Barcode on packaging.
- Easy to use.
- Latest CE, RoHS, REACH and California Prop65 Certified.

### TERMINATOR SIZE



### CONNECTION DIAGRAM



### PACKAGING SIZE



### ORDER CODE

- RJ45-DMXTERM-120

Fully compliant with PLASA/ANSI E1.11-2008 (R2013) Clause 7.3 Table 4 – Connection Schedule for DMX512 Equipment Using IEC 60603-7 8-Position Modular Connectors

